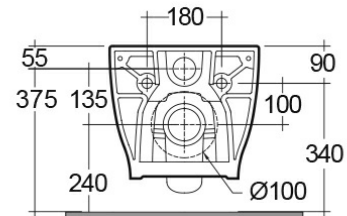
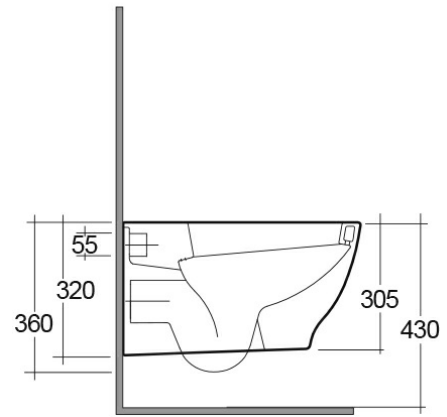
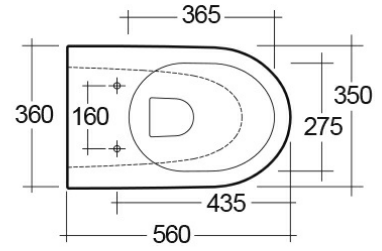


RAK-MOON-W/HIDDEN FIXATIONS

Wall Hung | Water Closet

RAK
CERAMICS



Technical specifications

Dimensions: 560 x 360 mm

Weight: 29 Kg

Color: Alpine White

Trap type: P Trap

Trapway type: Concealed

Seat cover options: Urea

Bowl shape: Round

Soft close: yes

Dual flush: yes

Suites: [RAK-MOON](#)

Code	Name
------	------

HAR19AWHA	MOON WATER CLOSET RIMLESS WALL HUNG W/HIDDEN FIXATIONS 56CM
-----------	---

Dimensions: All dimensions in mm tolerance $\pm 5\%$ for below 200mm and $\pm 3\%$ for above 200mm.

Note: Due to a continuing development programme to improve design and performance, the manufacturer reserves all rights to vary specifications without prior information.

Please note accessories are for photographic use only.