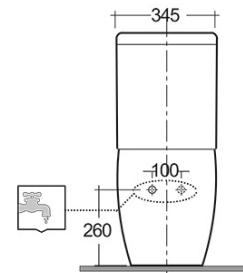
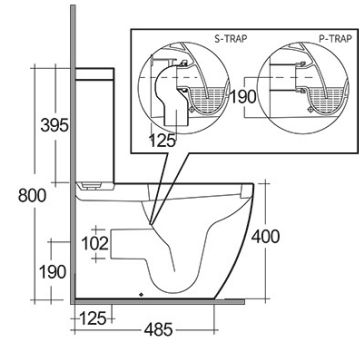
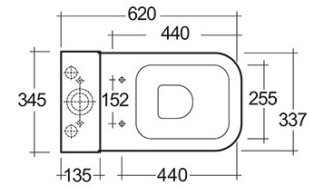


# RAK-METROPOLITAN

## Close Coupled | Water Closet

**RAK**  
CERAMICS



### TECHNICAL SPECIFICATIONS

Suite:	RAK-METROPOLITAN
Type:	Close Coupled
Dimensions:	620 x 337 mm
Weight:	44 Kg
Color:	Alpine White, Ivory
Trap type:	P Trap & S Trap
Trapway type:	Concealed
Seat cover options:	ABS & Urea
Bowl shape:	Rounded Rectangle
Soft close:	yes
Flush Type:	Dual Flush

Code	Name
MP22AWHA	METROPOLITAN WATER CLOSET CLOSE COUPLED BACK TO WALL P S-TRAP 62CM
MP20AWHA	METROPOLITAN WATER CLOSET TANK

Dimensions: All dimensions in mm. Tolerance of vitreous china & fireclay items:  $\pm 5\%$  for below 200mm and  $\pm 3\%$  for above 200mm; for all other items tolerance  $\pm 1\%$ . Note: Due to a continuing development program to improve design and performance, the manufacturer reserves all rights to vary specifications without prior information. Please note accessories are for photographic use only.

