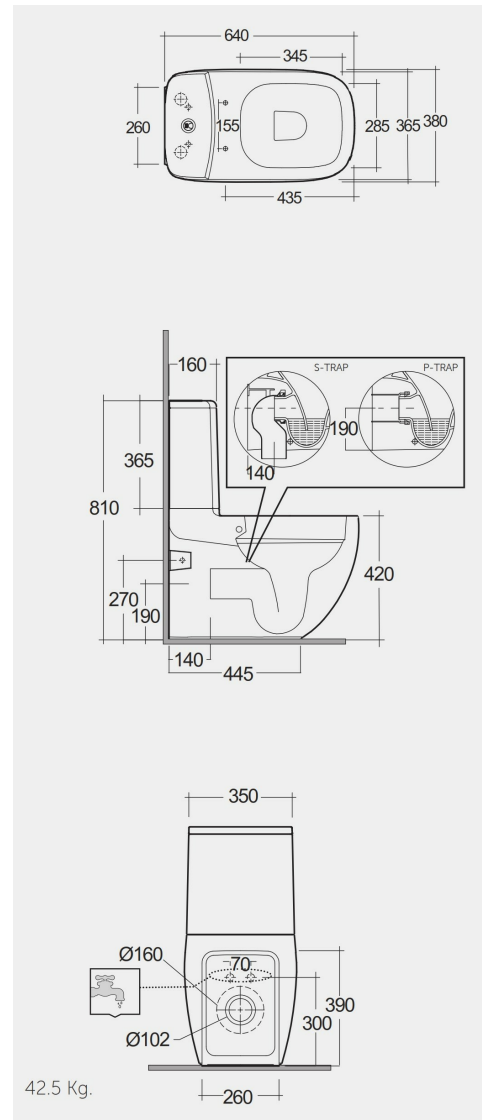


# RAK-ILLUSION-W/HIDDEN FIXATIONS

Close Coupled | Water Closet

**RAK**  
CERAMICS



## Technical specifications

Dimensions:	640 x 380 mm
Weight:	42.5 Kg
Color:	Alpine White
Trap type:	P Trap & S Trap
Trapway type:	Concealed
Seat cover options:	Urea
Bowl shape:	Rounded Rectangle
Suites:	<a href="#">RAK-ILLUSION</a>

Code	Name
ILLWT1800AWHA	RAK-ILLUSION
ILLWT1801AWHA	RAK-Illusion Bottom Inlet
ILLWT1802AWHA	RAK-Illusion Side Inlet
ILLSC3901WH	RAK-Illusion Soft Close Urea Seat Cover (WH)
ILLWC1146AWHA	RAK-ILLUSION-W/HIDDEN FIXATIONS

Dimensions: All dimensions in mm. Tolerance of vitreous china & fireclay items:  $\pm 5\%$  for below 200mm and  $\pm 3\%$  for above 200mm; for all other items tolerance  $\pm 1\%$ . Note: Due to a continuing development program to improve design and performance, the manufacturer reserves all rights to vary specifications without prior information. Please note accessories are for photographic use only.