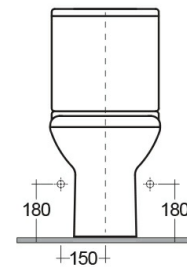
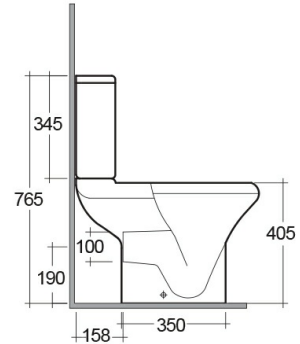
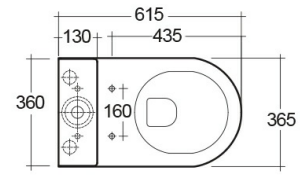


# RAK-COMPACT

## Close Coupled | Water Closet

**RAK**  
CERAMICS



### Technical specifications

Dimensions:	615 x 365 mm
Weight:	33 Kg
Color:	Alpine White
Trap type:	P Trap
Trapway type:	Concealed
Seat cover options:	ABS & Urea
Bowl shape:	Round
Soft close:	yes
Dual flush:	yes
Suites:	<a href="#">RAK-COMPACT</a>

Code	Name
CO11AWHA	COMPACT WATER CLOSET CLOSE COUPLED BACK OPEN P-TRAP 61CM
CO10AWHA	COMPACT WATER CLOSET TANK

Dimensions: All dimensions in mm. Tolerance of vitreous china & fireclay items:  $\pm 5\%$  for below 200mm and  $\pm 3\%$  for above 200mm; for all other items tolerance  $\pm 1\%$ . Note: Due to a continuing development program to improve design and performance, the manufacturer reserves all rights to vary specifications without prior information. Please note accessories are for photographic use only.