

CSH EFSNK BLK

CASHEW Tap Range Cashew Easyfit Monobloc Sink Mixer Black



Features:

- Unique patented top fix design, for simple installation from above the sink.
- Simply drop and twist the top fix base into the tap hole from above, and lock into place with the Allen key provided.
- Two supplied isolation valves and flexi tails mean you can connect to the water supply at this point and isolate the base.
- Push the tap on to the base and secure into position with the supplied Easyfit tool and screws.
- Everything you need in the box including an Allen key, isolation valves, Top Fix Easyfit base, Easyfit tool and flexi tails
- Swivel spout for easy use
- Long life 1/4 turn ceramic disc valves for added durability and smooth control.
- High quality metal fixings for security and durability
- Also available in other finishes.
- 10 year parts and 1 year labour guarantee for peace of mind.

Product Certifications:



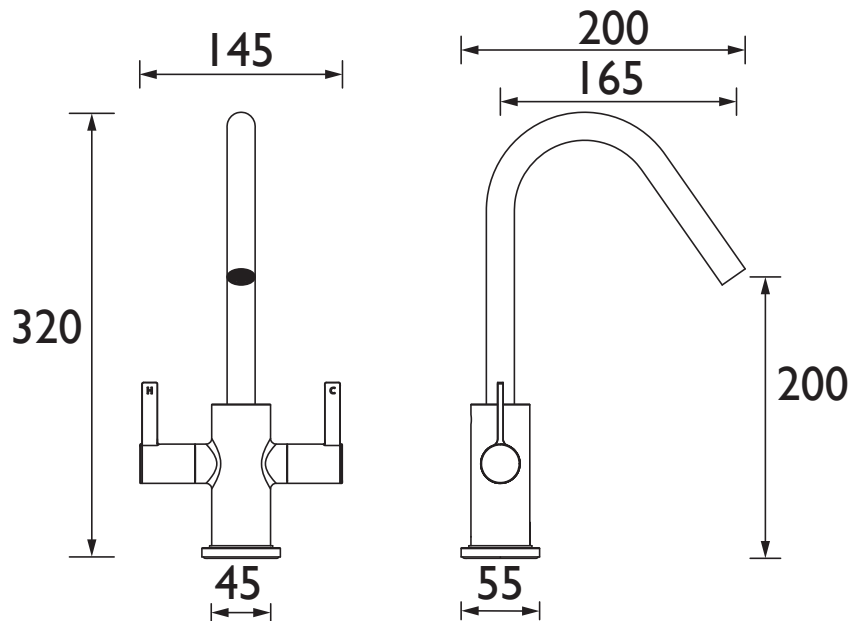
WRAS Cert. Number: 2109916
WRAS Expiry Date: 30/09/2026



Specification

Product Type:	Kitchen Taps
Main Construction Material:	Brass
Mount Type:	Deck
Handle Type:	Lever
Connection Inlet:	1/2" BSP Flexible Tails
Connection Outlet:	Anti-Splash
Number of Tap Holes:	1
Valve/Cartridge Type:	1/2" Ceramic Disc Valve
Plumbing System Requirements:	Suitable for all plumbing systems
Minimum Dynamic Pressure (bar):	0.5 bar
Maximum Dynamic Pressure (bar):	5.0 bar
Maximum Hot Water Temperature °C:	65°C
Maximum Static Pressure (bar):	10 bar
Flow Type:	Single
Isolation Included:	Yes

Dimensions (measurements in mm)



Flow Rates (l/min)

System Pressure (bar)	0.5	1	2	3	5
CSH EFSNK BLK (mixed)	3.4	5.6	9.2	11.8	16.7

TECHNICAL DATA SHEET



BRISTAN

D2