

# PM2 SQSHXAR C

## PRISM Shower Range Prism Exposed Sequential Chrome Shower Valve with Adjustable Riser Kit



### Features:

- 15mm inlet connections
- Easy replacement with adjustable inlets so you can use on existing pipework centres between 136mm and 158mm
- Thermostatic cartridge with preset temperature stop at 42°C
- Supplied with 2 x 8L/min flow regulators
- Includes riser rail with adjustable fixing bracket, rub-clean anti-limescale handset and hose

### Product Certifications:



WRAS Cert. Number: 2205903  
WRAS Expiry Date: 31/05/2027



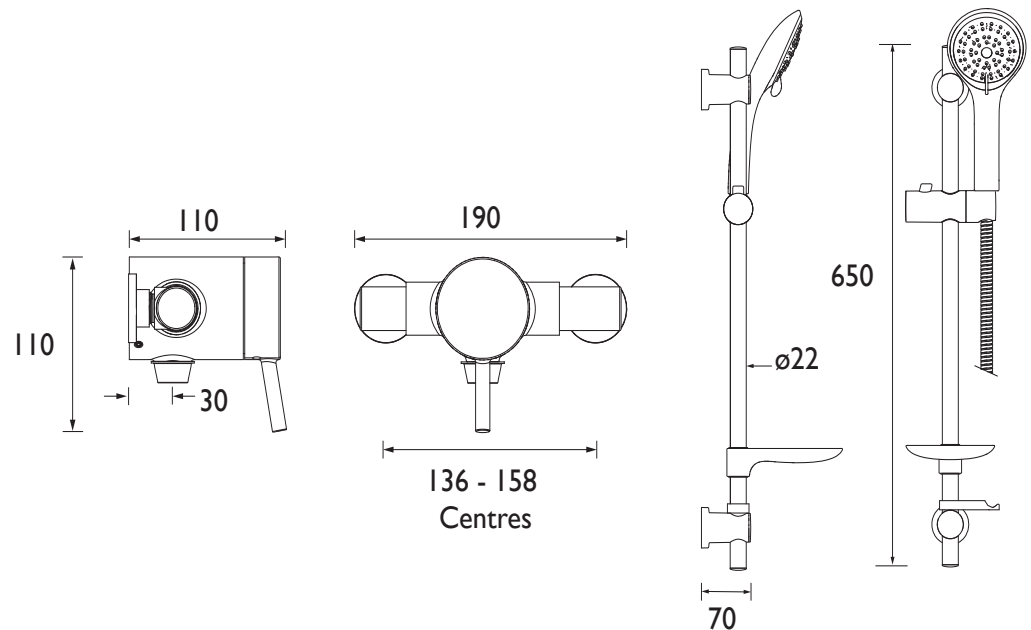
For more products, visit our website:  
<http://www.bristan.com>



### Specification

Finish/Colour:	Chrome
Main Construction Material:	Brass
No of Controls:	1
Shower Type:	Bar Shower
Shower Head Type:	Adjustable
Shower Kit:	Adjustable Riser
Valve/Cartridge Type:	Thermostatic Cartridge
Maximum Hot Water Supply Temperature °C:	65
Plumbing System Suitability:	Suitable for all plumbing systems
Minimum Dynamic Pressure (bar):	0.1
Maximum Dynamic Pressure (bar):	5.0
Maximum Static Pressure (bar):	10
Connection Inlet:	15mm Compression
Connection Outlet:	1/2"
Isolation Valve Included:	N
Check Valve Included:	N

### Dimensions (measurements in mm)



### Flow Rates (l/min)

System Pressure (bar)	0.1	0.5	1	2	3	5
Valve Only/Largest FR (mixed)	2.4	5.5	7.7	10.9	13.4	17.3
Through Handset (mixed)	2.4	5.5	7.7	10.9	13.4	17.3
With Flow Limiters (mixed)		6.5	9.7	13.7	13.4	12.3

## TECHNICAL DATA SHEET



# BRISTAN

D4