

PM 3WDIV C

PRISM Shower Range

Prism 3 Way Diverter



Main Construction Material:	Brass
No of Controls:	1
Valve/Cartridge Type:	Thermostatic
Maximum Hot Water Supply Temperature °C:	60
Maximum Static Pressure: (bar)	10
Plumbing System Suitability:	All - Ideally Balanced
Working Pressure Range:	Min. 0.2 Bar, Max. 0.5 Bar
Connection Inlet:	2 x G1/2"
Connection Outlet:	2 x G1/2"
Isolation Valve Included:	No

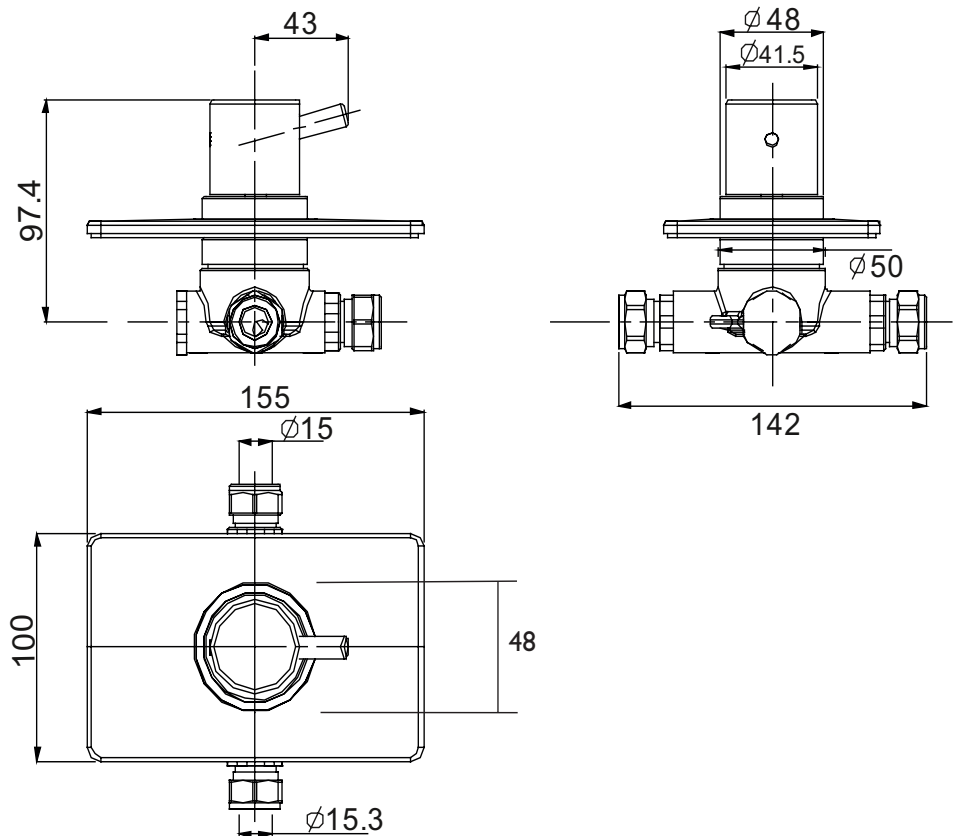
Features:

- 15mm inlet connection
- 15mm outlet connections
- Requires minimum cavity depth of 65mm
- High performance even at low pressures
- 3 way option diverts to 2 outlets

Product Certifications:



Dimensions (measurements in mm)



Flow Rates (l/min)

System Pressure (bar)	0.2	0.5	1	2	3	5
Through Handset (mixed)	7.6	13	19.2	23.6	33.7	42

For more products, visit our website:
<http://www.bristan.com>



TECHNICAL DATA SHEET



BRISTAN

TAPS & SHOWERS

D5