

# OD SNK C

# ODYSSEY Tap Range

## Odyssey Monobloc Sink Mixer Chrome



### Features:

- A hard-wearing, flawless chrome finish that lasts for years
- Long life ceramic cartridge for added durability and ease of use
- All in one box - Includes flexible tails and fixing kit so nothing to buy separately
- Suitable for high and low pressure water systems
- 5 year guarantee

### Product Certifications:



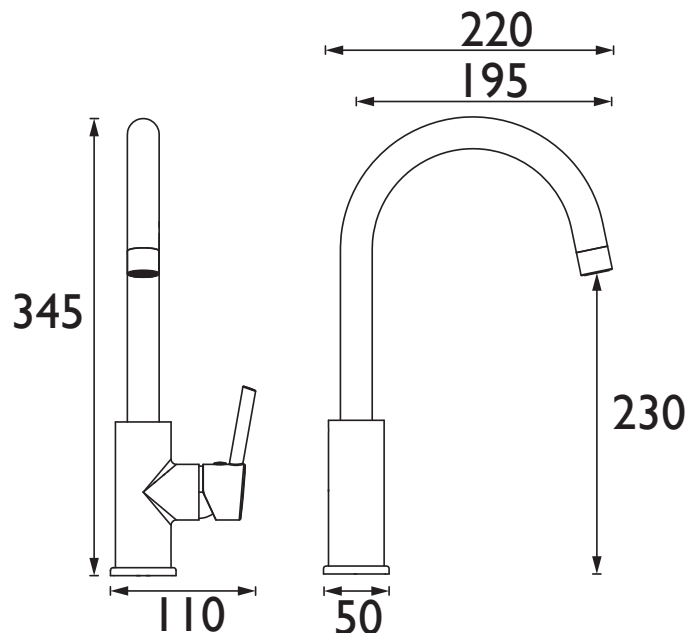
For more products, visit our website:  
<http://www.bristan.com>



### Specification

|                                   |                                   |
|-----------------------------------|-----------------------------------|
| Product Type:                     | Kitchen Tap                       |
| Main Construction Material:       | Brass                             |
| Mount Type:                       | Deck Mounted                      |
| Handle Type:                      | Lever Handle                      |
| Connection Inlet:                 | 1/2" BSP Flexible Tails           |
| Connection Outlet:                | M22 Flow Straightener             |
| Number of Tap Holes:              | 1                                 |
| Valve/Cartridge Type:             | 35mm Single Lever Cartridge       |
| Plumbing System Requirements:     | Suitable for all plumbing systems |
| Minimum Dynamic Pressure (bar):   | 0.5 bar                           |
| Maximum Dynamic Pressure (bar):   | 5.0 bar                           |
| Maximum Hot Water Temperature °C: | 60°C                              |
| Maximum Static Pressure (bar):    | 10 bar                            |
| Flow Type:                        | Single Flow                       |
| Isolation Included:               | No                                |

### Dimensions (measurements in mm)



### Flow Rates (l/min)

| System Pressure (bar) | 0.5 | 1    | 2    | 3    | 5    |
|-----------------------|-----|------|------|------|------|
| OD SNK C (mixed)      | 7.6 | 11.2 | 15.9 | 19.6 | 25.5 |

## TECHNICAL DATA SHEET



# BRISTAN

D2