

# MI BAS C

## MILA Tap Range Mila Basin Mixer Tap with Clicker Waste Chrome



### Features:

- You really can count on Bristan taps as they are designed, engineered and tested to last with our precise glide and secure fix components plus a hard wearing luminance chrome finish, all under a 10 Year guarantee for peace of mind
- All in one box - Includes flexible tails and clicker waste so nothing to buy separately
- Long life ceramic cartridge for added durability and ease of use
- Supplied with metal fixing nut for added durability and to secure your tap in place
- Easy-to-use lever handle

### Product Certifications:



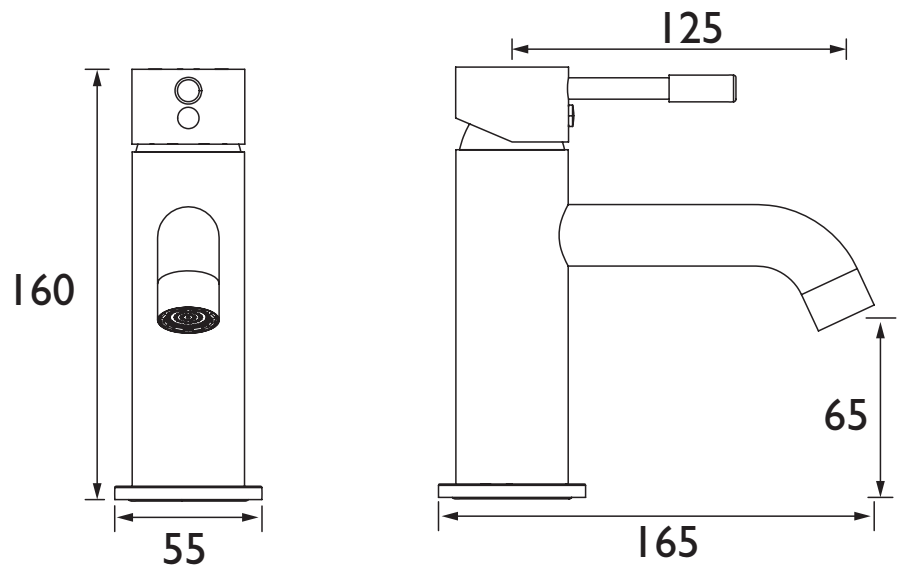
For more products, visit our website:  
<http://www.bristan.com>



### Specification

<b>Product Type:</b>	Bathroom Taps
<b>Main Construction Material:</b>	Brass
<b>Mount Type:</b>	Deck
<b>Handle Type:</b>	Lever
<b>Connection Inlet:</b>	M10 x 15mm Flexible Tails
<b>Connection Outlet:</b>	5ltr Aerator
<b>Number of Tap Holes:</b>	1
<b>Valve/Cartridge Type:</b>	35mm Flat Cartridge
<b>Plumbing System Requirements:</b>	Suitable for all plumbing systems
<b>Minimum Dynamic Pressure (bar):</b>	0.5 bar
<b>Maximum Dynamic Pressure (bar):</b>	5.0 bar
<b>Maximum Hot Water Temperature °C:</b>	60 °C
<b>Maximum Static Pressure (bar):</b>	10 bar
<b>Flow Type:</b>	Single
<b>Isolation Included:</b>	No

### Dimensions (measurements in mm)



### Flow Rates (l/min)

System Pressure (bar)	0.5	1	2	3	5
MI BAS C (mixed)	5	5	5	5	5

## TECHNICAL DATA SHEET



# BRISTAN

D1