

Product Code: MT753CP
 Finish/Model Type: Chrome

Weblink: <http://www.specifybristan.com/MT753CP>

Gummers 22mm Thermostatic Mixing Valve

Healthcare

Education

Sports & Leisure

- High and low pressure bath fill applications
- Part G compliant
- Automatic shutoff in the event of hot or cold water supply failure
- Check valves and serviceable filters as standard
- Operates at a maximum pressure differential of 10:1



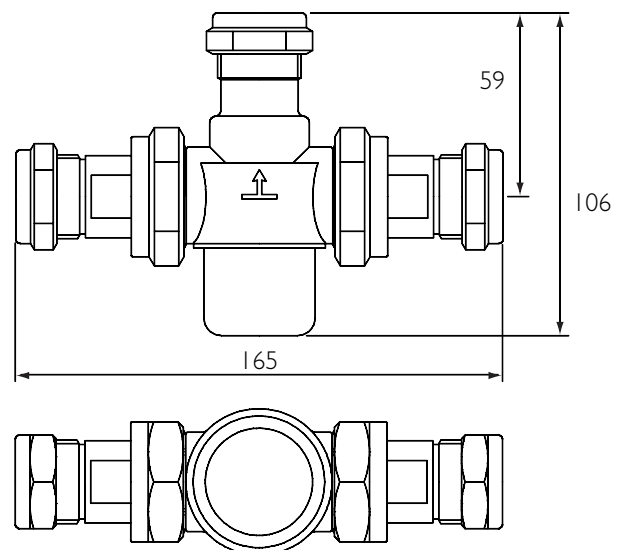
Recommended items: visit www.specifybristan.com

- Timed flow controls
- Non-thermostatic taps
- Pulse 8 automatic controls

All measurements in mm (unless stated otherwise)
 Inlet connection 22mm
 Outlet connection 22mm

Performance with open outlet

Pressure Drop	0.1	0.2	0.5	1	2	3	4	5
Flow Rate	10	17	28	42	59	73	85	95



Call our specifier helpline on **0844 701 6273**

or visit www.specifybristan.com

Bristan, Birch Coppice Business Park,
 Dordon, Tamworth, Staffordshire B78 1SG

Product Code

MT753CP

TMV2 Designations of use

- HP-S High pressure shower
- LP-S Low pressure shower
- HP-W High pressure washbasin
- LP-W Low pressure washbasin
- HP-B High pressure bidet
- LP-B Low pressure bidet
- HP-T High pressure bath
- LP-T Low pressure bath fill at minimum pressure 0.2 bar
Complies with Building Regulations maximum fill temperature 46°C

TMV3 Designations of use

- LP-S Low pressure shower
- LP-W Low pressure washbasin
- HP-T44 High pressure bath fill with maximum temperature 44°C
- LP-T44 Low pressure bath fill with maximum temperature 44°C

Pressures

- Minimum pressure drop: 0.1 bar
- Maximum dynamic pressure: 5 bar
- Maximum static pressure: 10 bar

Temperatures

- Factory preset temperature: 43°C
- Maximum hot water supply temperature: 80°C

Call our specifier helpline on **0844 701 6273**

or visit www.specifybristan.com

Bristan, Birch Coppice Business Park,
Dordon, Tamworth, Staffordshire B78 1SG