

N 3HBAS C CD

1901 Tap Range 1901 3 Hole Basin Mixer with Ceramic Disc Valves Chrome



Features:

- Long life and easy to use 1/4 turn ceramic disc valves
- Metal handles
- Metal fixing nut for added durability
- Pop-up waste included

Product Certifications:



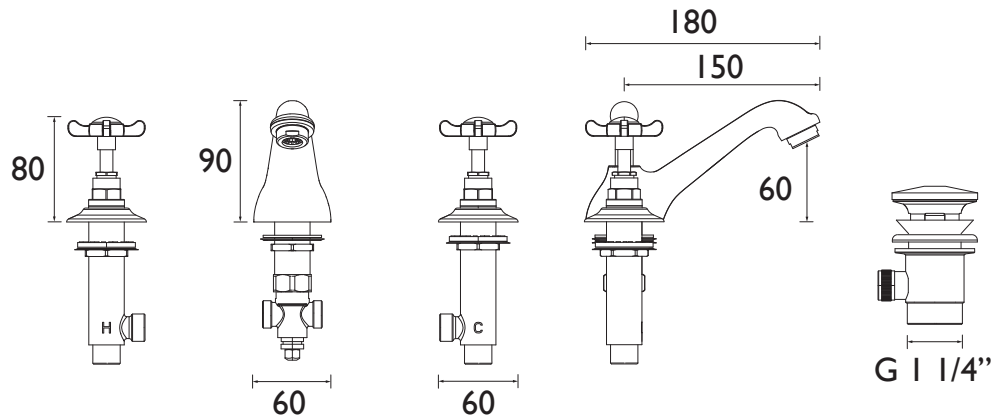
For more products, visit our website:
<http://www.bristan.com>



Specification

Product Type:	Bathroom Taps
Main Construction Material:	Brass
Mount Type:	Deck
Handle Type:	Cross Head
Connection Inlet:	15mm Compression Threaded Tails
Connection Outlet:	M24 Flow Straightener
Number of Tap Holes:	3
Valve/Cartridge Type:	1/2" Ceramic Disc Valve - 1/4 turn
Plumbing System Requirements:	Suitable for all plumbing systems
Minimum Dynamic Pressure (bar):	0.2 bar
Maximum Dynamic Pressure (bar):	5 bar
Maximum Hot Water Temperature °C:	65°C
Maximum Static Pressure (bar):	10 bar
Flow Type:	Single
Isolation Included:	No

Dimensions (measurements in mm)



Flow Rates (l/min)

System Pressure (bar)	0.2	0.5	1	2	3	5
N 3HBAS C CD (mixed)	9	15.4	22.3	30.9	37.9	48.9

TECHNICAL DATA SHEET



BRISTAN

D5