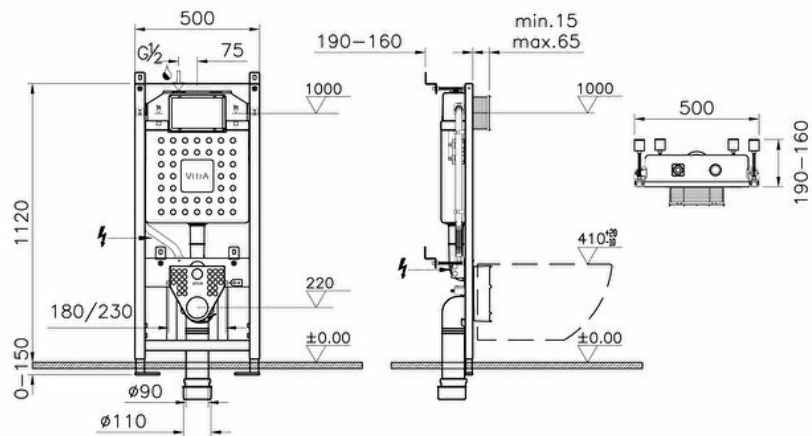


Name	CC 2,5/4L (Pre-Wall Gypsumplate Wall)
Collection	V12
Height (mm)	1120
Width (mm)	500
Depth (mm)	190
Designer	VitrA Design Team
Guarantee	10 year
Thickness	12 cm
Certificate	CE
Brand	VitrA
Installation Type	07
Mounting type	Wall and Floor Mounted
Recommended Minimum Pressure	Min:0.5-Max:10Recommended(1-5)



Product code: 762-5800-02

Description



All drawings contain the necessary measurements which are subject to standard tolerances.

For exact measurements, in particular for customized installation scenarios, it can only be taken from the finished ceramic product.