

FH TDRD03 C

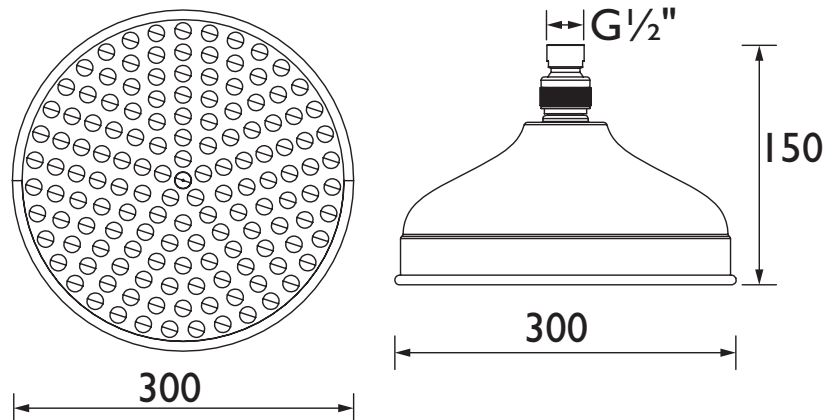
Accessories Traditional 300mm Round Fixed Head Chrome



Specification

Finish/Colour:	Chrome
Product Type:	Fixed Shower Head
Main Construction Material:	Brass
Maximum Hot Water Supply Temperature °C:	85
Maximum Static Pressure: (bar)	10
Minimum Dynamic Pressure:	Min: 0.2 bar, Max: 5.0 bar
Connection Inlet:	G 1/2"
Contemporary or Traditional:	Traditional

Dimensions (measurements in mm)



Features:

- Complete with swivel joint for angle adjustment

Product Certifications:



WRAS Certificate No: 2007910
WRAS Expiry Date: 31/07/2025



For more products, visit our website:
<http://www.bristan.com>



Flow Rates (l/min)

System Pressure (bar)	0.2	0.5	1	2	3	5
Through Handset (mixed)	6.0	9.5	15.6	27.0	33.1	42.7

TECHNICAL DATA SHEET



BRISTAN

D6