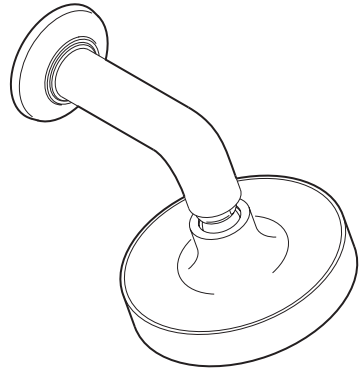
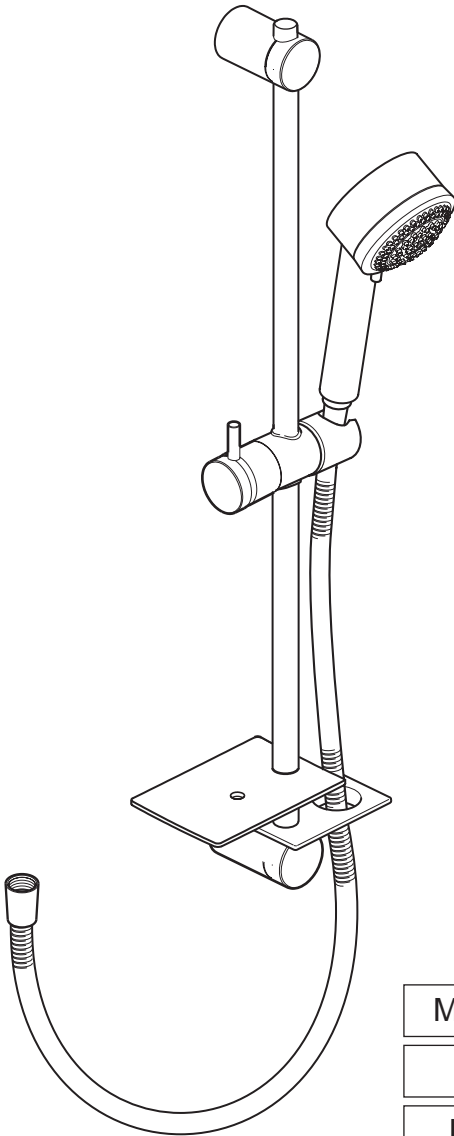


mira

SHOWERS



MIRA ENERGISE AND MIRA L10

SHOWER FITTINGS

INSTALLATION & USER GUIDE

These instructions are to be left with the user

CONTENTS

Introduction	2
General	2
Design Registration	2
Pack Contents	3
Specifications	5
Pressures	5
Dimensions	5
Installation	6
EV Shower Fittings	6
BIR Shower Fittings	7
RAC Assembly	8
Operation	10
User Maintenance	10
Fault Diagnosis	10
Cleaning	11
Spray Plate	11
Spare Parts	12
Accessories	13
Notes	14
Customer Service	Back Page

INTRODUCTION

Thank you for purchasing a quality Mira product. To enjoy the full potential of your new product, please take time to read this guide thoroughly, having done so, keep it handy for future reference.

These shower fittings are designed to give a satisfactory shower over a range of pressures between 0.1 and 5.0 bar.

General

1. Make sure that the shower fittings are installed by a competent installer.
2. Installations must comply with Water Regulations (Bye-Laws, Scotland), and any other Local Regulations and Building Regulations in force at the time of installation.
3. Before installation carefully inspect the new fixture for any signs of damage.
4. The shower fittings should be positioned at a convenient height for all the family. Position the fittings to spray across rather than towards the opening of the cubicle and also away from the shower control. Avoid layouts where the shower hose will be sharply kinked. This may reduce the life of the hose.
5. A hose retaining ring is supplied to prevent the showerhead from dropping below the spill over level of the bath or shower, which could lead to contamination from back-siphonage. The supplied hose retaining ring should meet the great majority of user requirements for shower installations with flexible outlet fittings. However, there will be occasions when the hose retaining ring will not provide a suitable solution. In these instances an **outlet** double check valve, e.g. the Mira DCV-H, **must** be fitted. The inclusion of the Mira DCV-H will increase the required supply pressure typically by 0.1 bar.
6. Special consideration should be given to the fixing arrangements when installing onto a dry lined, stud partition, shower cubicle or laminated panel wall structures. Installers may wish to obtain alternative proprietary cavity fixings, or choose other options, however, these methods of fixing are beyond the scope of this guide.

Design Registration

000351887-0006

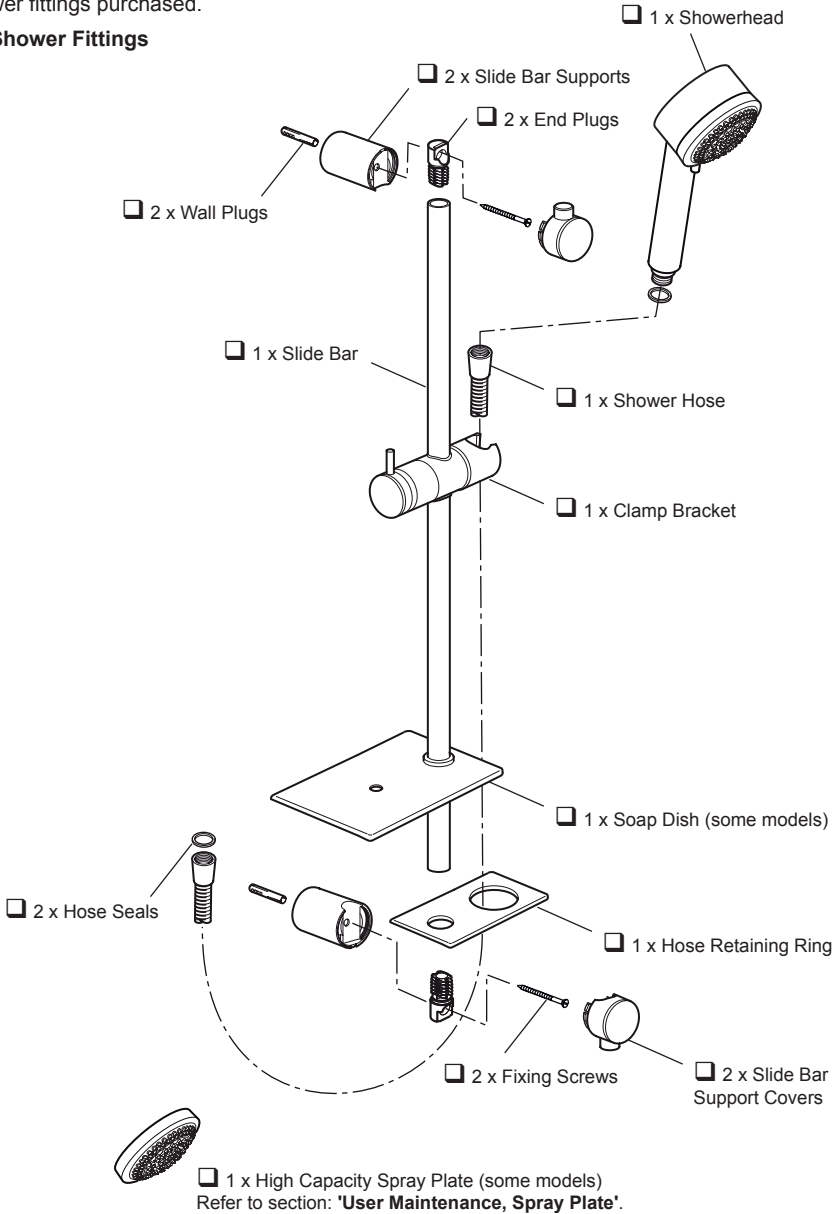
If you experience any difficulty with the installation or operation of your new shower fittings, please refer to '**Fault Diagnosis**', before contacting Kohler Mira Ltd. Our contact details can be found on the back cover of this guide.

PACK CONTENTS

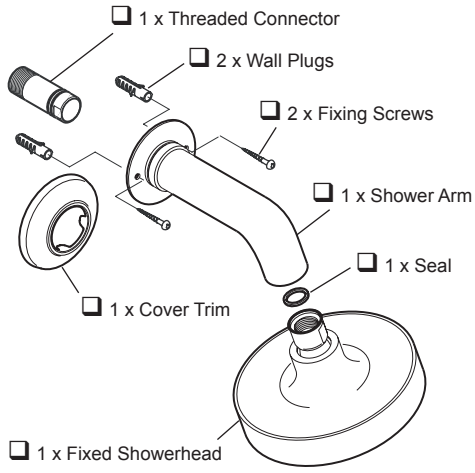
Tick the appropriate boxes to familiarise yourself with the part names and to confirm that all of the parts are included.

Note! Parts supplied will vary depending on shower fittings purchased.

EV Shower Fittings



BIR Shower Fittings



SPECIFICATIONS

Pressures

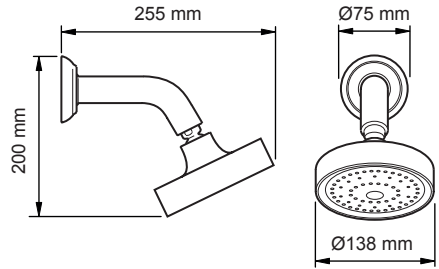
Min maintained pressure: **0.1 bar** (10 kPa).

Max maintained pressure: **5.0 bar** (500 kPa).

Warning! Exceeding the stated maximum maintained pressure could result in excessive spray forces and possible damage to the product.

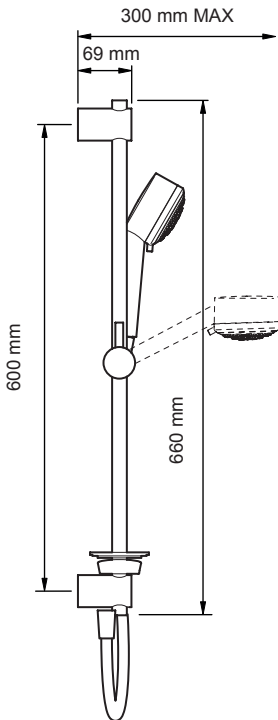
On Mira Energise models, the EV showerhead has been fitted with a low capacity spray plate, suitable for pressures between 0.1 and 0.5 bar (1 m to 5 m head). For high pressure installations (e.g. combination boilers) we advise that you fit the high capacity spray plate (supplied). Refer to section: **'User Maintenance, Spray Plate'**.

BIR Shower Fittings



Dimensions

EV Shower Fittings



INSTALLATION

EV Shower Fittings

Refer to section: 'Introduction, General' before installing the shower fittings.

1. Decide on a suitable position for the slide bar, avoiding buried cables and pipes.
2. Drill the two 8 mm fixing holes for the slide bar at 600 mm centres, and insert the wall plugs.
3. Push the end plugs into the slidebar.
4. Push the slidebar through the clamp bracket assembly, soap dish (some models) and hose retaining ring.
5. Insert the fixing screw into the countersunk hole of the bottom end plug, and through the bottom slidebar support. Loosely attach to the wall (this will make aligning the top support easier).
6. Insert the fixing screw into the countersunk hole of the top end plug, and through the top slidebar support. Secure to the wall.
7. Tighten the bottom fixing screw and fit the slide bar support covers.

8. Screw the hose onto the outlet of the shower control or RAC assembly (make sure that the hose seal is fitted). **Do not overtighten.**

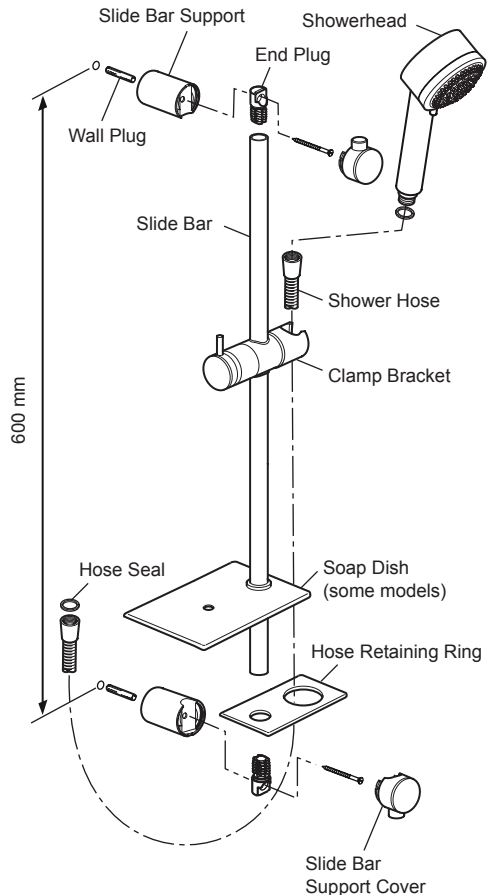
Important! Certain models may have flow regulators, refer to your shower control installation and user guide for details.

9. Pass the hose through the hose retaining ring and screw the remaining end onto the showerhead (make sure that the hose seal is fitted). **Do not overtighten.**

10. Place the showerhead into the clamp bracket.

Note! The clamp bracket is tapered so that the showerhead will only fit from one direction. If necessary rotate the clamp bracket through 90°.

Note! If the clamp bracket pivots downwards under the weight of the showerhead the central securing screw in the bracket will require tightening to hold the showerhead in position.



BIR Shower Fittings

Refer to section: 'Introduction, General' before installing the shower fittings.

1. Before the BIR assembly can be fitted you must have first installed your built-in shower control and have connected the inlet and outlet pipework. Refer to your shower control installation and user guide.

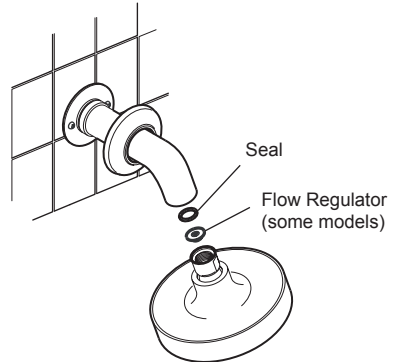
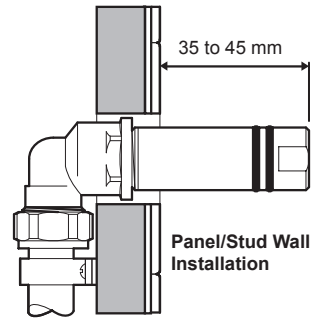
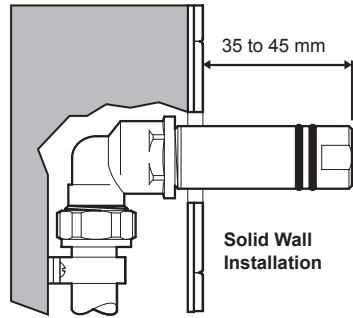
Important! Make sure that the outlet pipework is securely fixed and that you leave enough pipe to connect a 1/2" BSP female fitting (not supplied) to the BIR assembly.

2. Apply liquid sealant or PTFE tape (**do not** use paste) and screw the threaded connector through a $\text{\O}30$ mm hole in the wall/panel into the 1/2" BSP female fitting (not supplied).

Important! The threaded connector must protrude from the **finished wall surface** by 35 - 45 mm.

3. Temporarily fit the shower arm onto the threaded connector and mark the position of the two fixing holes.
4. Remove the shower arm, then drill the fixing holes and insert the wall plugs.
5. Refit the shower arm onto the threaded connector and secure to the wall using the two screws.
6. Slide the cover trim over the shower arm and push into place.
7. Fit the fixed showerhead using an appropriate spanner. It is recommended that a suitable cloth is used to protect the chrome finish when tightening the fixed showerhead.

Important! Certain models may have flow regulators, refer to your shower control installation and user guide for details.



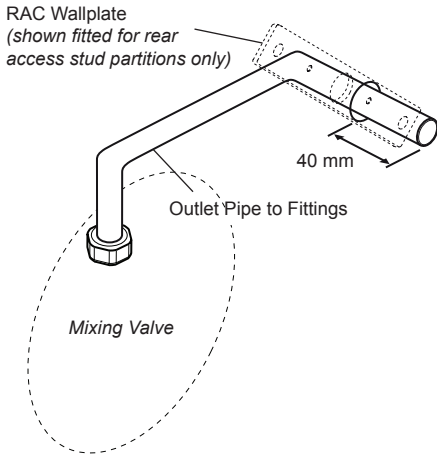
RAC Assembly

1. Before the RAC assembly can be fitted you must have first installed your built-in shower control and have connected the inlet and outlet pipework.

Important! Make sure that the outlet pipework protrudes through a $\text{Ø}25$ mm hole in the wall or stud partition by at least 40 mm.

Note! For stud partition installations where access to the rear of the partition is possible, fit the RAC wallplate over the outlet pipework on the inside of the partition.

For stud partition installations where access to the rear of the wall is not possible, follow instructions for solid wall installations, making sure that suitable wall fixings (not supplied) are used to secure the wallplate to the outside of the stud partition.



2. Temporarily cap off the outlet pipe, turn on the water supplies and check for leaks.
3. Determine the finished wall position (e.g. tile thickness). Turn off the water supply, carefully uncap the outlet pipe and cut to length, the outlet pipe must protrude through the **finished wall surface** by 21–23 mm.

Note! Remove any burrs from the pipes before proceeding.

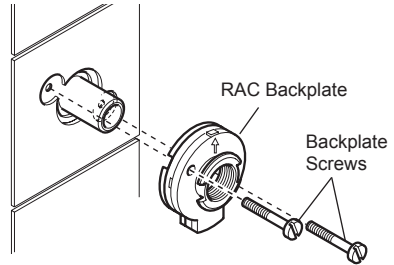
4. For solid wall installations or stud partition installations **without** rear access go to instruction 9.

For stud partition installations with access to the rear of the partition continue with instruction 5.

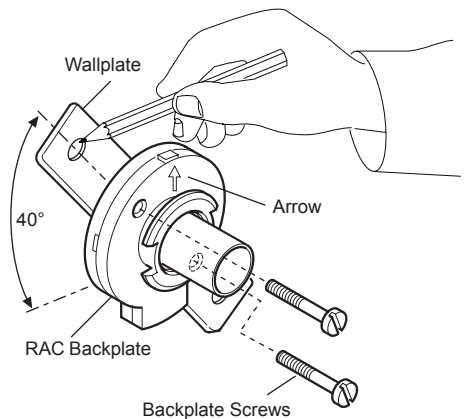
5. Finish the wall, e.g. tiles.

6. Place the RAC backplate over the outlet pipe with the arrow pointing up. The screw holes should be at 45° to the horizontal.
7. Mark the positions of the two RAC backplate fixing holes and drill two $\text{Ø}5.5$ mm holes.

Caution! Make sure that you do not drill into pipework in the wall.
8. Hold the RAC wallplate in position on the rear of the partition, insert the two backplate screws and secure the RAC backplate to the wallplate. Make sure that the foam seal abuts the finished wall surface. Go to instruction 18.



9. Loosely attach the RAC backplate to the RAC wallplate, using the two backplate screws provided.
10. Place the RAC backplate/wallplate assembly over the outlet pipe with the arrow pointing vertically up. The screw holes should be at 40° to the horizontal.
11. Mark the positions of the two RAC wallplate fixing holes.



12. Remove the assembly from the wall and separate the backplate from the wallplate.

13. For solid walls drill two Ø6 mm holes for the wall plugs. For other types of wall structure alternative fixings may be required (not supplied). If necessary, make a recess 6 mm deep to accept the wallplate for flush fitting of the outlet to the wall surface.

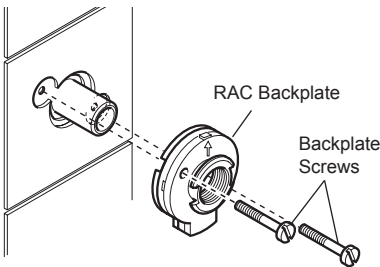
Caution! Make sure that you do not drill into pipework in the wall.

14. Fit the two wall plugs supplied and secure the wallplate to the wall with the two wallplate screws.

15. Make sure that there is clearance behind the wallplate and temporarily fit the two backplate screws into the wallplate. This will prevent the fixing holes from becoming blocked with plaster or grout.

16. Finish the wall, e.g. tiles.

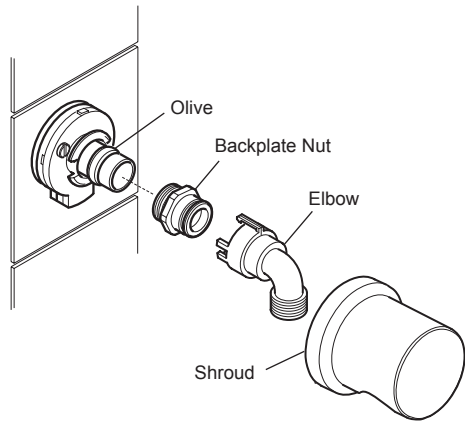
17. Place the backplate over the outlet pipe with the arrow pointing vertically up and tighten the two backplate screws. Make sure that the foam seal abuts the finished wall surface.



18. Check that the blue 'O' seal is fitted inside the backplate nut. Fit the olive and the backplate nut over the outlet pipe and tighten the nut.

19. Check that the second 'O' seal (black) is fitted to the outside of the backplate nut. Press the elbow onto the backplate, make sure that the clips on the elbow engage with the backplate.

20. Press the shroud over the elbow, make sure that it engages with the lugs on the backplate.



21. This completes the installation of the RAC assembly.

OPERATION

Changing the Spray Setting

The EV showerhead has four different spray actions: Eco, Start, Soothe and Force.

1. Eco

Turn the spray plate fully clockwise. Water will flow from the outer set of holes and the flow rate will be reduced.

2. Start

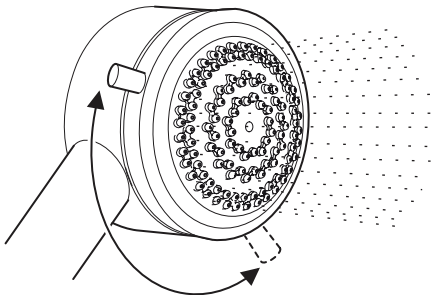
Turn the spray plate anticlockwise until it 'clicks' (one click from the eco setting). Water will flow from the outer set of holes.

3. Soothe

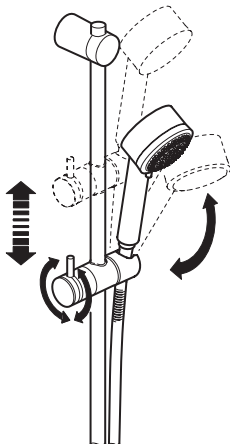
Turn the spray plate anticlockwise until it 'clicks' (two clicks from the eco setting). Water will flow from the large diameter holes.

4. Force

Turn the spray plate anticlockwise until it 'clicks' (three clicks from the eco setting). Water will flow from the inner set of holes.



Height and Direction Adjustment



USER MAINTENANCE

If you require a Mira trained service engineer or agent, refer to section: '**Customer Services**'.

Fault Diagnosis

Symptom:

- *No flow or low flow rate from shower fittings.*

Cause / Rectification:

- *Spray plate blocked, clean or renew.*
- *Make sure that the hose is not blocked or twisted.*
- *Problem with the shower control, refer to your shower control installation and user guide.*

Symptom:

- *Drip from the showerhead.*

Cause / Rectification:

- *A small amount of water may be retained in the showerhead after the shower control has been turned off. This is quite normal, changing the angle of the showerhead may vary the draining time.*
- *Problem with the shower control, refer to your shower control installation and user guide.*

Symptom:

- *Shower temperature changes when spray action is adjusted.*

Cause / Rectification:

- *Adjusting the spray action changes the flow of water. This may affect some shower controls and plumbing installations. To minimise the effect make sure that the spray plate is clean.*

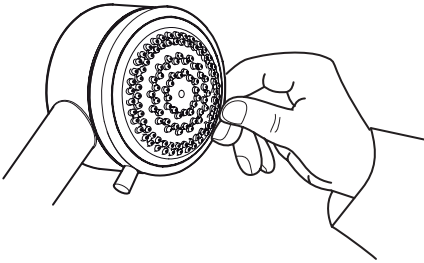
Cleaning

Many household cleaners contain abrasives and chemical substances, and should not be used for cleaning plated or plastic fittings.

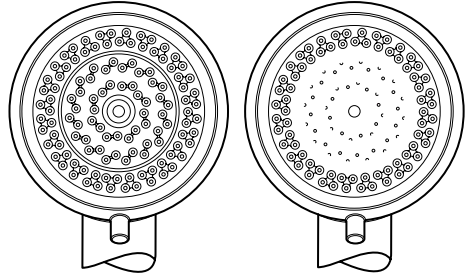
These finishes should be cleaned with a mild washing up detergent or soap solution, and then wiped dry using a soft cloth.

Use your thumb or a soft cloth to wipe any limescale from the soft nozzles and the front surface of the showerhead spray plate.

Important! The spray plate **must** be regularly cleaned to make sure that the showerhead does not become blocked.



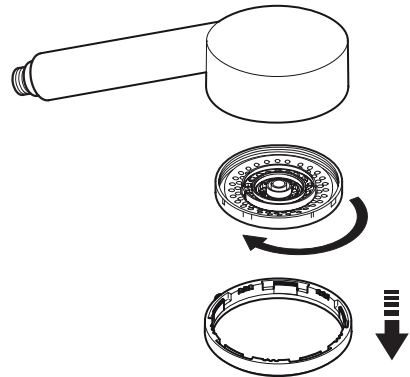
Spray Plate



Mira Energise

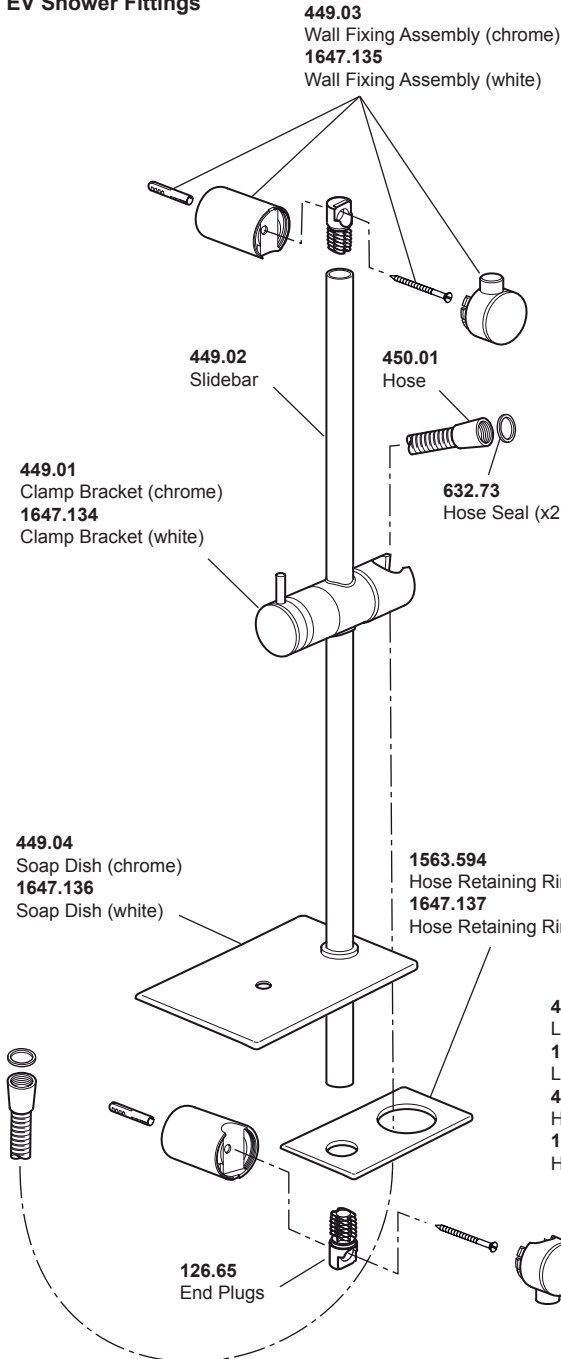
Mira L10

On Mira Energise models, the EV showerhead has been fitted with a low capacity spray plate, suitable for pressures between 0.1 and 0.5 bar (1 m to 5 m head). For high pressure installations (e.g. combination boilers) we advise that you fit the high capacity spray plate (supplied).

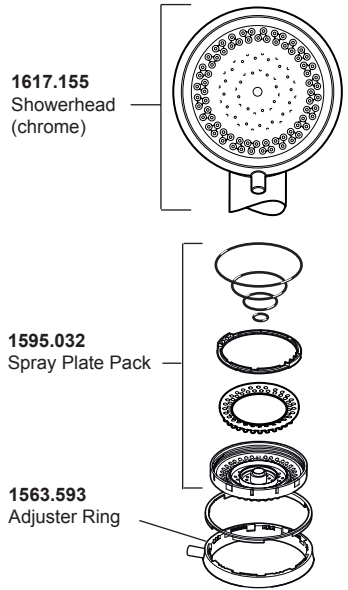


SPARE PARTS

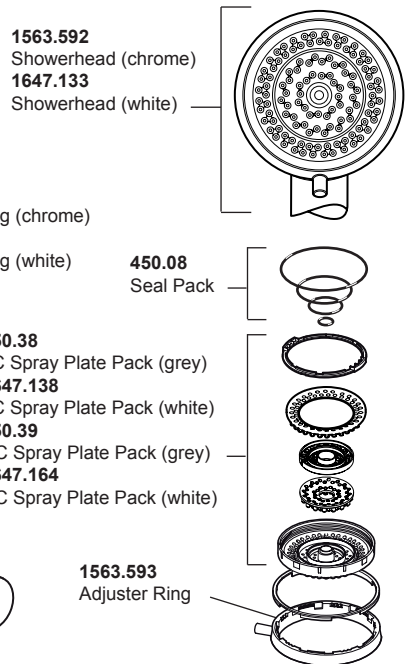
EV Shower Fittings



L10 Showerhead



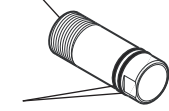
Energise Showerhead



BIR Shower Fittings

1595.263
Threaded Connector

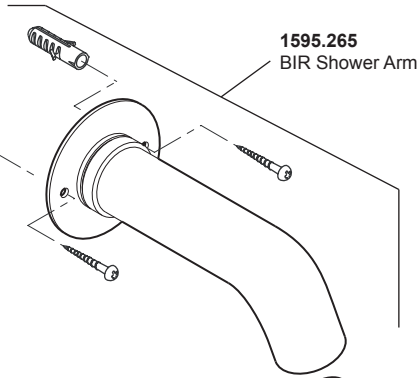
1595.264
Seal Pack



1595.076
Concealing Trim

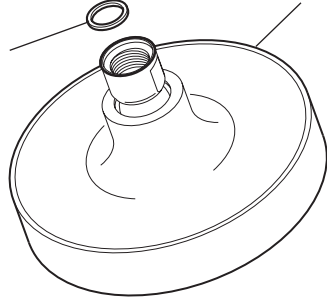


1595.264
Seal Pack



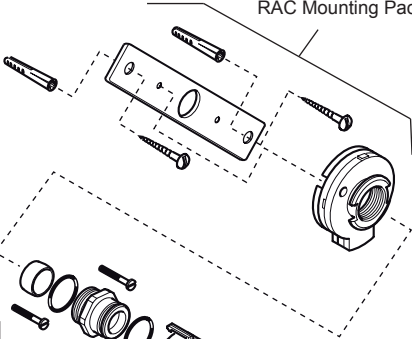
1595.265
BIR Shower Arm

1595.075
Fixed Showerhead



RAC Assembly

450.20
RAC Mounting Pack

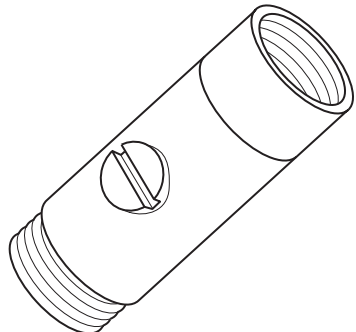


450.20
RAC Mounting Pack

1617.171
RAC Shroud

ACCESSORIES

110.55 DCV-H: An outlet double check valve, designed to prevent the backflow or back-siphonage of potentially contaminated water, through shower controls which are fitted with a flexible hose as part of the outlet shower fitting. The inclusion of the Mira DCV-H will increase the required supply pressure typically by 0.1 bar (10 kPa). Available as an optional accessory from Customer Services.



NOTES

NOTES

CUSTOMER SERVICE

Guarantee

Your product has the benefit of our manufacturer's guarantee which starts from the date of purchase.

To activate this guarantee, please return your completed registration card, visit our website or free phone 0800 0731248 within 30 days of purchase (UK only).

Within the guarantee period we will resolve defects in materials or workmanship, free of charge, by repairing or replacing parts or product as we may choose.

If you have not previously activated the guarantee, you will be required to do so prior to the provision of assistance. If you do not activate your guarantee our Engineer will be entitled to charge full payment for the visit (Call out fee plus parts).

This guarantee is in addition to your statutory rights and is subject to the following conditions:

- The product must be installed and maintained in accordance with the instructions given in this user guide.
- Servicing must only be undertaken by us or our appointed representative. **Note!** if a service visit is required the product must be fully installed and connected to services.
- Repair under this guarantee does not extend the original expiry date. The guarantee on any replacement parts or product ends at the original expiry date.
- For shower fittings or consumable items we reserve the right to supply replacement parts only.

The guarantee does not cover:

- Call out charges for non product faults (such as damage or performance issues arising from incorrect installation, improper use, lack of maintenance, build up of limescale, frost damage, corrosion, system debris or blocked filters) or where no fault has been found with the product.
- Water or electrical supply, waste and isolation issues.
- Compensation for loss of use of the product or consequential loss of any kind.
- Damage or defects caused if the product is repaired or modified by persons not authorised by us or our appointed representative.
- Routine maintenance or replacement parts to comply with the requirements of the TMV 2 or TMV 3 healthcare schemes.

What to do if something goes wrong

If your product does not function correctly when you first use it, contact your installer to check that it is installed and commissioned in accordance with the instructions in this manual. Should this not resolve the issue, contact our Customer Services Team who will offer you or your installer advice and if applicable arrange for a Service Technician to call. If the performance of your product declines, check in this manual to see if simple home maintenance is required. If you require further assistance call our Customer Services Team.

Extended Guarantees

A selection of protection plans are available that enable you to cover repair bills for the life of your policy (excludes Eire). Ring 01922 471763 for more details.

Helpdesk Service

Our dedicated Customer Services Team is comprehensively trained and can offer help and advice, spare parts, accessories or a service visit. We will need you to have your model name or number, power rating (if applicable) and date of purchase. As part of our quality and training programme calls may be recorded or monitored.

Mira Showers Website (www.mirashowers.co.uk)

From our website you can register your guarantee, download additional user guides, diagnose faults, purchase our full range of accessories and popular spares, refer to our FAQ's and request a service visit.

Spares and Accessories

We maintain extensive stocks of genuine spares and accessories and aim to provide support throughout the product's expected life. Payment can be made by phone at time of order using most major Credit or Debit cards and we aim to despatch orders within two working days. Items purchased from us are guaranteed for 12 months from date of purchase. For safety reasons spares exposed to mains voltages should only be fitted by competent persons.

Returns – items can be returned within one month of date of purchase, providing that they are in good condition and the packaging is unopened. Please obtain authorisation from our Customer Services Team before return. We reserve the right to apply a 15% restocking charge.

Service / Repairs

We have a nationwide team of Service Technicians who can carry out all service or repair work to your product within the guarantee period and beyond. You have the assurance of a fully trained Mira Technician, genuine Mira spare parts and a 12 month guarantee on any chargeable work done.

Payment should be made directly to the Service Technician who will accept most major Credit or Debit cards.

To Contact Us

UK

Telephone: 0844 571 5000

www.mirashowers.co.uk

E-mail: technical@mirashowers.com

Fax: 01242 282595

By Post: Mira Customer Services Dept, Cromwell Road, Cheltenham, Gloucestershire, GL52 5EP

Eire

Telephone: 01 459 1344

E-mail: sales@modernplant.ie

Fax: Dublin 01 459 2329

By Post: Modern Plant Ltd (Dublin), Otter House, Naas Road, Clondalkin, Dublin 22

Mira is a registered trade mark of
Kohler Mira Limited.

The company reserves the right to alter
product specifications without notice.



FM 14648

mira

SHOWERS