

Focus

2-hole rim mounted bath mixer with diverter valve and Crometta 85 hand shower 1jet

Finish: **Chrome** Article Number: **31521000**



Description

product features

- consists of: 2-hole rim mounted bath mixer, hand shower, shower holder, shower hose
- 2 functions
- centre distance: 180 mm
- ceramic cartridge (Highflow)
- operating pressure from 0.2 bar
- diverter with automatic resetting
- non-return valve
- with silencer
- connection dimension: DN15
- connection type: G 3/4
- installation on bath rim
- EPD Shower and Bath Faucets

Technology



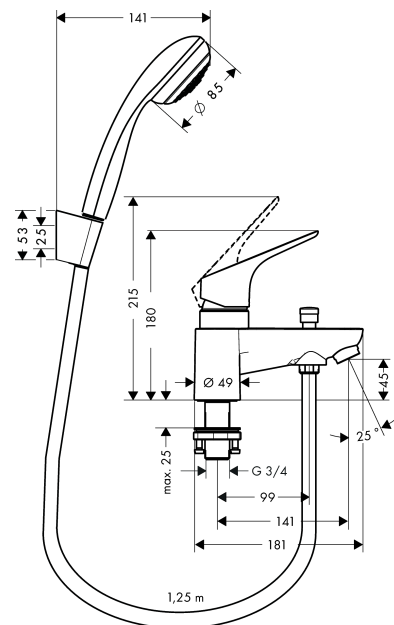
Certificates / Sustainability



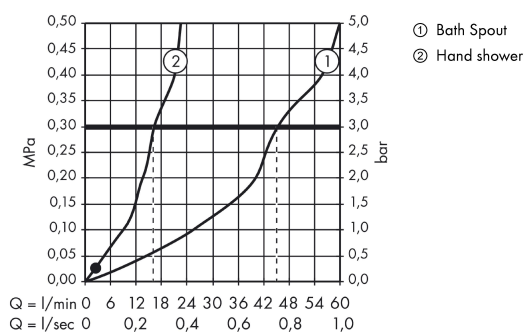
Product image



Scale drawing



Flowchart



Focus

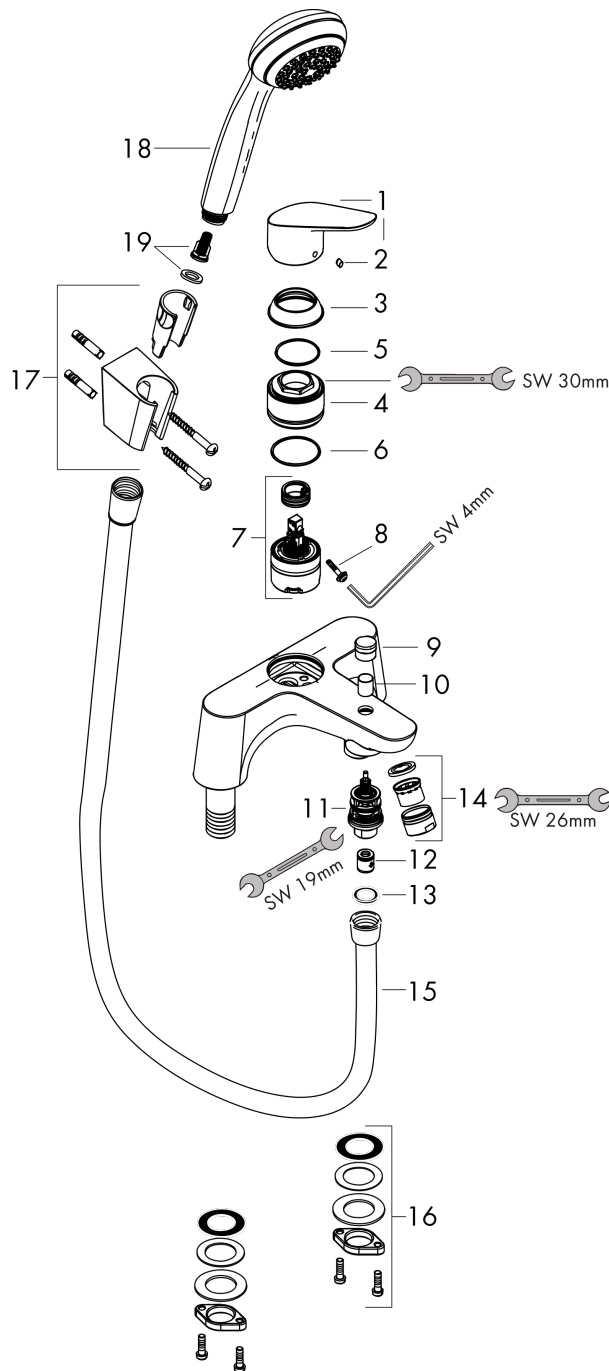
2-hole rim mounted bath mixer with diverter valve and Crometta 85 hand shower 1jet

Finish: **Chrome** Article Number: **31521000**



Exploded Drawing

Year of production: >08/13



Focus

2-hole rim mounted bath mixer with diverter valve and Crometta 85 hand shower 1jet

Finish: **Chrome** Article Number: **31521000**



Spare part list

Year of production: >08/13

Pos.	Description	Article Number	PC	PU
1	handle	92155000	11	1
2	screw cover	96338000	1	1
3	flange	97995000	6	1
4	nut	92156000	12	1
5	O-ring 41x2	98212000	1	1
6	O-ring 48x1,5	92159000	1	1
7	cartridge, assy	92157000	16	1
8	locking screw for handle	95140000	2	1
9	diverter knob	96466000	5	1
10	sleeve	97738000	2	1
11	selector assy	97164000	12	1
12	set of non return valves DW 15	94074000	5	1
13	seal	98058000	1	1
14	aerator cpl.	97163000	7	1
15	shower hose Isiflex'B 1,60 m	28276000	98	1
16	fixing set	98667000	4	1
17	shower holder	28331000	98	1
18	handshower	28585000	98	1
19	filter insert	97708000	2	1