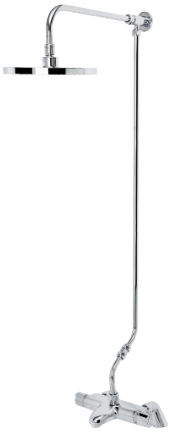


AS2 THBSMRR KIT C

ASSURE Shower Range Thermostatic Bath Shower Mixer with Rigid Riser



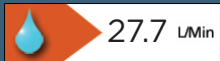
Specification

Style:	Contemporary
Finish/Colour:	Chrome Plated
Main Construction Material:	Brass
No of Controls:	2
Shower Type:	Bath Shower Mixer
Shower Head Type:	Rigid Riser
Valve/Cartridge Type:	Thermostatic
Max Hot Water Supply Temperature °C:	60-65
Maximum Static Pressure: (bar)	10 bar
Plumbing System Suitability:	All, preferably balanced
Working Pressure Range:	Min: 0.2 bar, Max: 5.0 bar
Connection Inlet:	D 3.4"
Connection Outlet:	15mm Compression
Isolation Valve Included:	Yes
Check Valve Included:	No

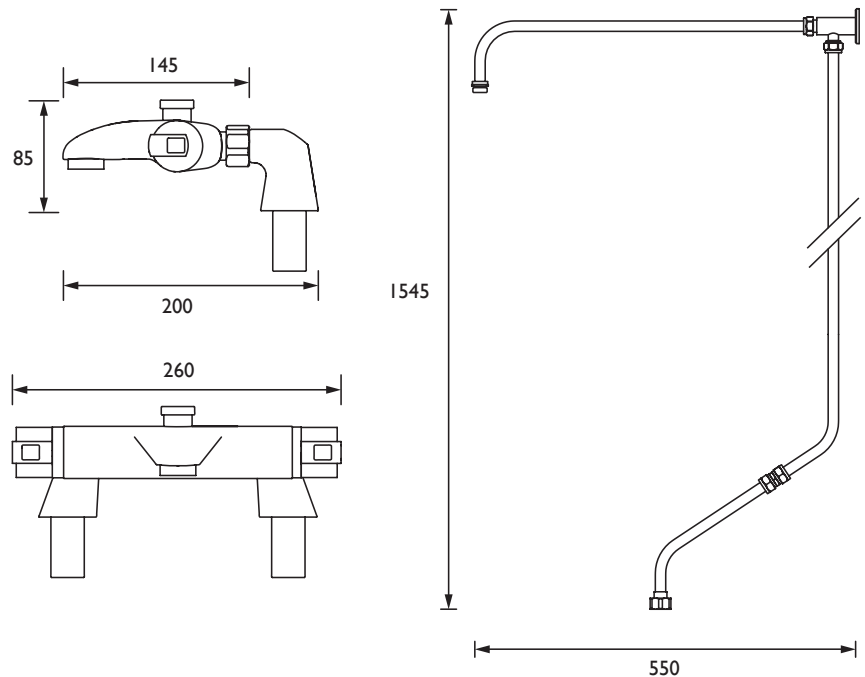
Features:

- Thermostatic TMV2 control to bath & shower functions
- Dual Control
- Pre-set maximum temperature at 38c which can be overridden
- Operates at a minimum pressure of 0.5bar

Product Certifications:



Dimensions (measurements in mm)



Flow Rates (l/min)

System Pressure (bar)	0.2	0.5	1	2	3	5
Through Handset (mixed)	10.5	11.3	15.9	22.6	27.7	35.7

For more products, visit our website:
<http://www.bristan.com>



TECHNICAL
DATA
SHEET



BRISTAN
TAPS & SHOWERS

D1