

CAS 3HBF C

CASINO Shower Range Casino 3 Hole Bath Filler Chrome



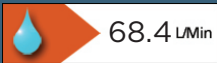
Specification

Style:	Contemporary
Product Type:	Bathroom Taps
Main Construction Material:	Brass
Mount Type:	Deck Mounted
Handle Type:	Crosshead
Connection Inlet:	3/4" BSP Threaded Tail
Connection Outlet:	N/A
Number of Tap Holes:	3
Valve/Cartridge Type:	3/4" CD Valve 1/4 Turn
Plumbing System Requirements:	All
Working Pressure Range:	Min. 0.3, Max. 5.0 bar
Maximum Hot Water Temperature: °C	60
Maximum Dynamic Pressure: (bar)	5
Maximum Static Pressure: (bar)	10
Flow Type:	Single
Flow Rate: (l/min @ 3 bar)	68.4
Isolation Included:	No

Features:

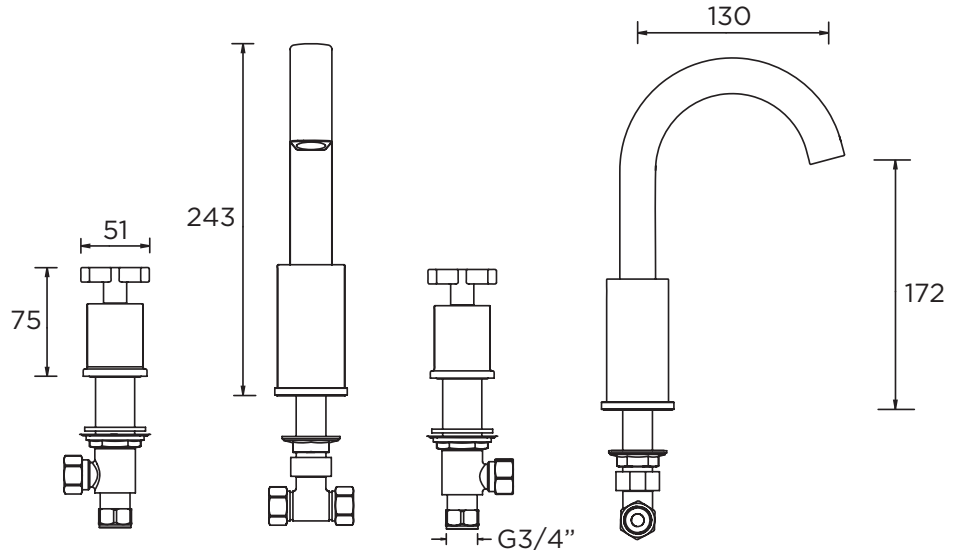
- Long life and easy to use 1/4 turn ceramic disc valves
- Metal back nuts for added durability
- Incorporates swivel spout
- Minimum working pressure of 0.3 bar

Product Certifications:



68.4 L/min

Dimensions (measurements in mm)



For more products, visit our website:
<http://www.bristan.com>



Flow Rates (l/min)

System Pressure (bar)	0.2	0.5	1	2	3	5
Through Handset (mixed)	-	27.6	37.3	55.4	68.4	89.9

TECHNICAL
DATA
SHEET



BRISTAN
TAPS & SHOWERS

D1