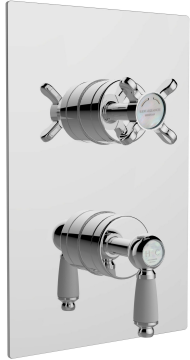


# RS2 SHCDIV C

## RENAISSANCE Shower Range

Renaissance 2 Recessed Dual Control Shower With Two Outlet Diverter Chrome



### Features:

- This shower valve has been designed to fit in any UK wall cavity and therefore only needs a 35mm deep cavity space
- Fitting depth including plasterboard and tiles is 45mm - 75mm
- Fully serviceable from the front
- Integral two outlet diverter
- Supplied with wall outlet

### Product Certifications:

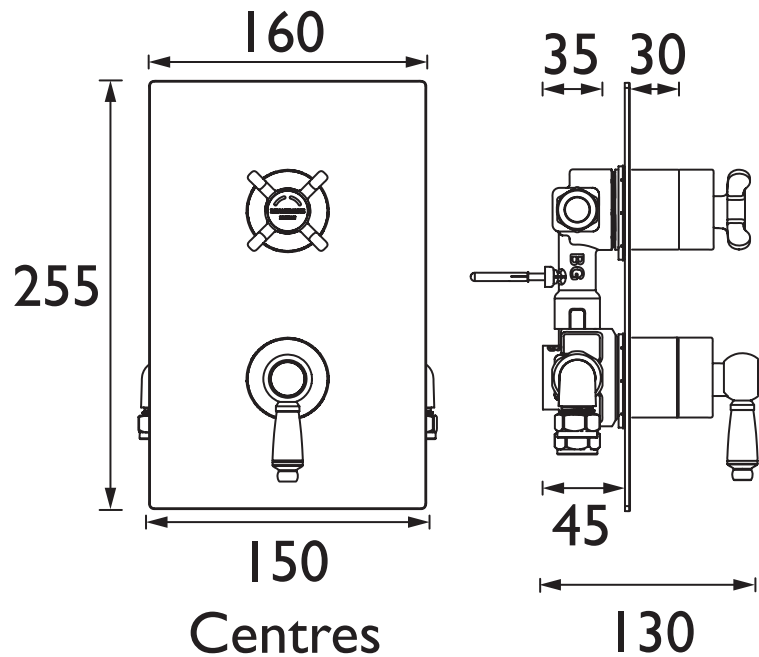
For more products, visit our website:  
<http://www.bristan.com>



### Specification

Style:	Traditional
Finish/Colour:	Chrome
Main Construction Material:	Brass
No of Controls:	2
Shower Type:	Dual Control
Shower Head Type:	Valve Only
Valve/Cartridge Type:	Recessed
Maximum Hot Water Supply Temperature	80°C
Dynamic Pressure Range: (bar)	5
Maximum Static Pressure: (bar)	10
Plumbing System Suitability:	All, preferably balanced
Working Pressure Range:	Min 0.2 bar, Max 5.0 bar
Flow Rate: (l/min @ 3 bar)	32.9
Connection Inlet:	15mm Compression
Connection Outlet:	G 1/2"
Isolation Valve Included:	No
Check Valve Included:	Yes

### Dimensions (measurements in mm)



### Flow Rates (l/min)

System Pressure (bar)	0.2	0.5	1	2	3	5
Outlet 1	8.5	13.4	19	26.9	32.9	42.5
Outlet 2	8.3	13.1	18.5	26.2	32	41.4

TECHNICAL  
DATA  
SHEET



**BRISTAN**