

VAL2 BSM C CD

VALUE Tap Range Lever Bath Shower Mixer with Ceramic Disc Valves Chrome



Specification

Product Type:	Bathroom Taps
Main Construction Material:	Brass
Mount Type:	Deck
Handle Type:	Lever
Connection Inlet:	3/4" BSP
Connection Outlet:	Flow Straightener
Number of Tap Holes:	2
Valve/Cartridge Type:	3/4" Ceramic Disc Valve - 1/4 Turn
Plumbing System Requirements:	Suitable for all plumbing systems
Minimum Dynamic Pressure:	0.2 bar
Maximum Dynamic Pressure:	5.0 bar
Maximum Hot Water Temperature: °C	65
Maximum Static Pressure: (bar)	10
Flow Type:	Single
Isolation Included:	No
Check Valve Supplied:	No

Features:

- Long life and easy to use 1/4 turn ceramic disc valves
- Metal back nuts for added durability
- Supplied with 3" (76mm) metal lever handles
- Includes 1.5m hose, handset and wall bracket

Product Certifications:



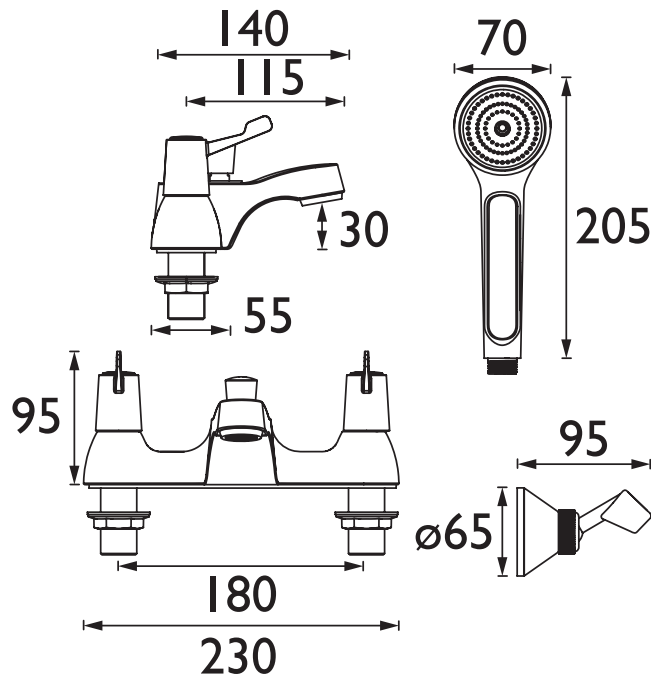
WRAS Certificate No: 1708700
WRAS Expiry Date: 31/08/2022



For more products, visit our website:
<http://www.bristan.com>



Dimensions (measurements in mm)



Flow Rates (l/min)

System Pressure (bar)	0.2	0.5	1	2	3	5
Mixed	22.4	37.0	52.9	75.1	92.1	119.3
Handset	3.0	6.1	8.2	11.0	13.3	17.3

TECHNICAL DATA SHEET



BRISTAN

D3