

# VAC 1/2 C MT

## CLUB Tap Range Club Basin Taps with Metal Heads Chrome



### Features:

- Metal back nuts for added durability
- Metal handles
- Supplied with metal backnuts

### Specify As:

Bristan "VAC 1/2 C MT" Club Basin Taps with metal heads, 1/2" BSP threaded inlet tails and compression valves. Product is WRAS Approved with a 5 year warranty. Manufacturer: Bristan Group Limited. Contact details: [contractenquiry@bristan.com](mailto:contractenquiry@bristan.com)

### Product Certifications:



WRAS Cert. Number: 2001914  
WRAS Expiry Date: 31/01/2025



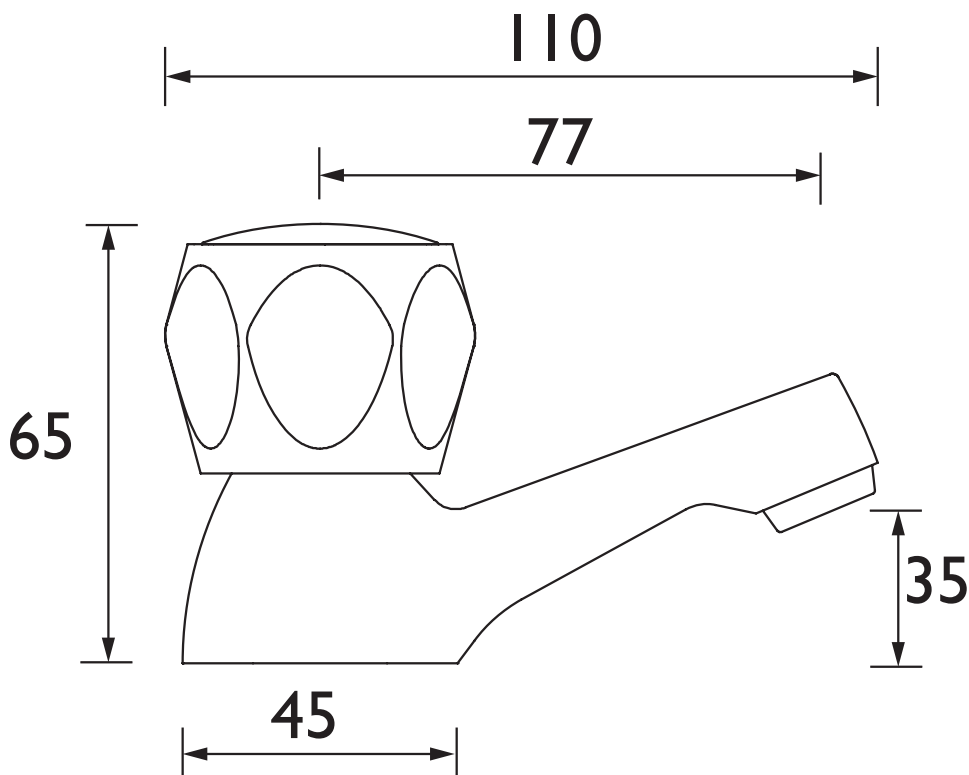
For more products, visit our website:  
<http://www.bristan.com>



### Specification

<b>Product Type:</b>	Bathroom Taps
<b>Main Construction Material:</b>	Brass
<b>Mount Type:</b>	Deck Mounted
<b>Handle Type:</b>	Hand Wheel
<b>Connection Inlet:</b>	1/2" BSP
<b>Connection Outlet:</b>	M16 Aerator
<b>Number of Tap Holes:</b>	2
<b>Valve/Cartridge Type:</b>	1/2" Standard Valve
<b>Plumbing System Requirements:</b>	Suitable for all plumbing systems
<b>Minimum Dynamic Pressure:</b>	0.2 Bar
<b>Maximum Dynamic Pressure:</b>	5.0 bar
<b>Maximum Hot Water Temperature: °C</b>	65
<b>Maximum Static Pressure: (bar)</b>	10
<b>Flow Type:</b>	Single Flow
<b>Isolation Included:</b>	No

### Dimensions (measurements in mm)



### Flow Rates (l/min)

System Pressure (bar)	0.2	0.5	1	2	3	5
VAC 1/2 C MT	14	22.1	31	44.3	54.2	70

## TECHNICAL DATA SHEET



# BRISTAN

D7