

W BASIN13 C

Wastes Round Pop Up Basin Waste Slotted Chrome



Specification

Contemporary or Traditional:	Contemporary
Main Construction Material:	Brass, Stainless Steel
Connection Inlet:	G1 1/4"
Waste Flow Rate (litres per minute):	27.9
What's in the Box?:	1x Flange, 1x Pop-up Plug, 2x Plastic Washers, 1x Waste Body, 2x Rod Washers, 1x Horizontal Rod, 1x Locking Nut, 1x Pop-Up Link, 1x Vertical Rod with Knob, 1x Threaded Rod, 1x Brass Nut, 1x Shroud, 1x Steel Washer, 1x Foam Washer

Features:

- Solid brass construction

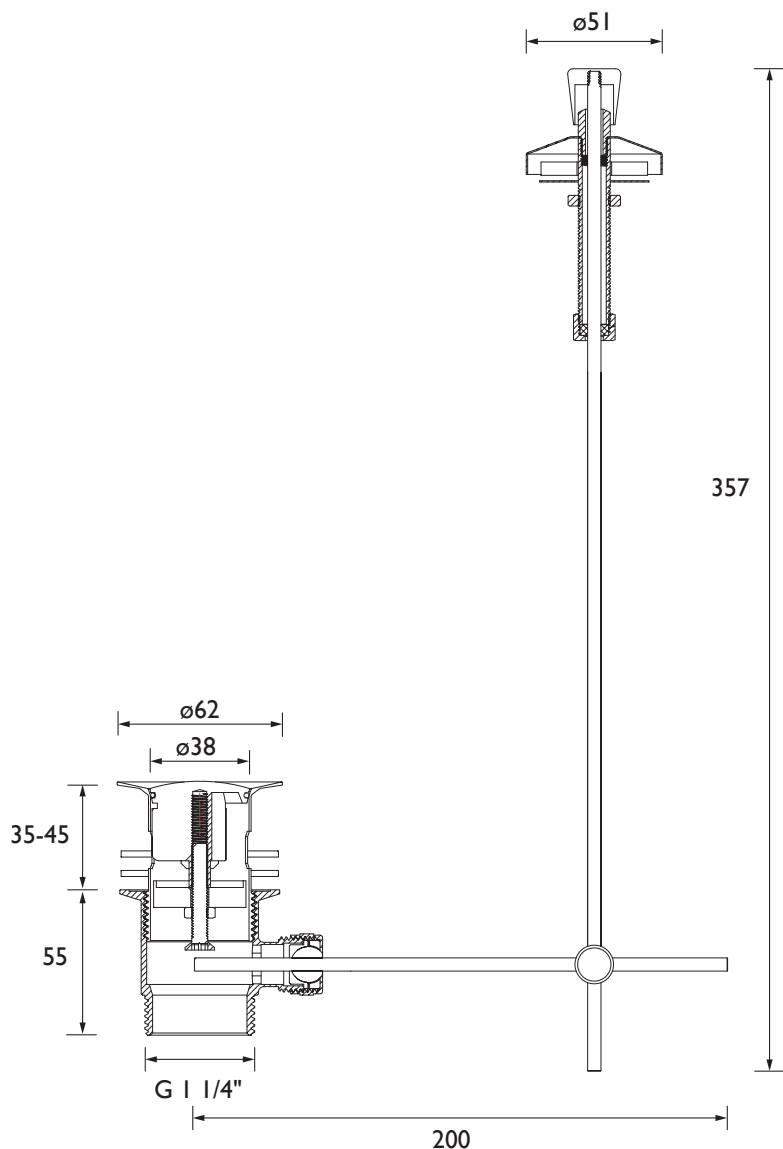
Product Certifications:

Variant SKUs:

For more products, visit our website:
<http://www.bristan.com>



Dimensions (measurements in mm)



TECHNICAL
DATA
SHEET



BRISTAN

D3